

# Mercedes-Benz CLS. Designed to Seduce.



Mercedes-Benz





The first time you meet. Everything changes. You can't take your eyes away. From that sensual purity, from the iconic design. It comes over you suddenly: the urge to possess. Sometimes a moment is all it takes, there's no way back.

\*Please read the disclaimer.

# Pure longing for something very special.

The first experience. Immediately beguiling. The silky-smooth power of an in-line 4-cylinder engine has always had a seductive effect on lovers of fine automobiles. Every touch of the accelerator pedal is a sensual experience arousing the desire for more.



\*Please read the disclaimer.

Determined to conquer.

The challenge is full on, the front section self-assured in the way it inclines forward. The MULTIBEAM LED headlamps with ULTRA RANGE Highbeam radiate innovative power. Between them a diamond radiator grille, reminiscent in its outline of certain legendary racing cars. Determined to conquer the road and the hearts of true automotive enthusiasts.



\*Please read the disclaimer.



## The impression: refined. The temptation: major.

The first touch. Soft leather, fine wood and a glass-fronted widescreen cockpit that appears to float freely. It all feels just right. Stimulating the senses. Yet relaxing you at the same time. Even the air vents are given dramatic colour highlights.

\*Please read the disclaimer.

The sense of appreciation grows  
with every turn of the road.

Do you ever get a sense of being in just the right place at just the right time? You can enjoy that feeling all the time in the CLS, because AIR BODY CONTROL ensure optimum adjustment, whatever the driving situation.



\*Please read the disclaimer.



\*Please read the disclaimer.

Possibly one of the last  
style icons of our time.



\*Please read the disclaimer.



## MULTIBEAM LED headlamps. Major engineering skill. Minor works of art.

The **MULTIBEAM LED** option allows extremely fast and precise adaptation of the headlamps to the prevailing road and traffic conditions. The light is always directed to precisely where it is needed via 84 individually controllable LEDs. A total of four control units calculate the ideal light pattern 100 times per second using information from a camera behind the windscreen. The distinctive **LED rear lamps** are almost minor works of art in their own right. Edge Light technology ensures a high-quality visual appearance with an impression of depth.



\*Please read the disclaimer.

## Standard Equipment

### Standard specification exterior – sporty and elegant

Even the standard specification exterior succeeds in combining elegance with sportiness. The scope of equipment includes coupé-typical radiator trim with diamond radiator grille, a single louvre and integral Mercedes star. The 45.7 cm (18-inch) 5-twin-spoke light-alloy wheels the two-piece rear bumper with black insert in a diffuser look and the diamond-shaped tailpipe trim elements create further sporty highlights.



\*Please read the disclaimer.

## Standard Equipment

### Standard equipment interior – expressive and luxurious

The expressive and luxurious standard equipment for the interior impresses with its modern design and high-quality materials. The scope of equipment includes a 3-spoke multifunction sports steering wheel with Touch Control buttons and steering wheel shift paddles. Thanks to their lightweight seating concept, the seats in leather provide both a sporty shape and an ergonomic function by means of manual seat cushion depth adjustment. Trim elements in aluminium stretch from the dashboard through to the doors. The upper part of the dashboard and the beltlines underscore the brand's hallmark quality.



\*Please read the disclaimer.

## Standard Equipment

### Multifunction sports steering wheel – everything to hand and in view

The multifunction sports steering wheel in nappa leather combines a sporty design, compact dimensions and fine materials. It is finished in nappa leather.

The integral steering wheel shift paddles allow for manual gear shifting and support a sporty driving style. The ergonomically arranged Touch Control buttons additionally allow direct control of many functions: The buttons arranged on the left enable intuitive control of the instrument cluster. The buttons arranged on the right are used to control the multimedia system by means of horizontal and vertical swiping movements.



\*Please read the disclaimer.

## Standard Equipment

### Widescreen Cockpit with instrument display – for better and lively information

The instrument display provides previously unknown options for driver information. This is a digital instrument cluster that, together with the media display, forms the Widescreen Cockpit. All information is presented in high resolution and in colour on the 31.2 cm (12.3-inch) instrument display. The driver can choose between the 3 display styles "Classic", "Sporty" and "Progressive".



\*Please read the disclaimer.

## Standard Equipment

### **Burmester® surround sound system – impressive sound quality for every occupant**

13 high-performance speakers, a 9-channel DSP amplifier with a total output power of 590 watts and amplifier/speaker systems configured specifically for the vehicle make for the first-class Burmester sound. If required, this impressive listening experience can be upgraded even further. The surround function generates a virtual all-round sound for maximum spatial impact. All/front/rear optimisation allows the sound to be adjusted for all or specifically the front or rear seats. Thanks to vehicle noise compensation (VNC), the full sound quality is maintained despite driving or wind noise so that the best possible music enjoyment is guaranteed at all times – whether on the motorway or in urban traffic.



\*Please read the disclaimer.

## Standard Equipment

### Glass sunroof – more air, more light

The electric sliding sunroof provides pleasant, draught-free air circulation in the passenger compartment. As it is made of glass, the sunroof also gives the interior of the vehicle a brighter feel. A movable headlining affords protection against the sun. If it starts to rain or in case of extreme temperatures, the open roof automatically moves to the raised position to prevent water entering the passenger compartment. With the vehicle parked, the sunroof can still be opened and closed from outside.



\*Please read the disclaimer.

## Standard Equipment

### **Ambient lighting in 64 colours – showcases the interior like a work of art**

The ambient lighting showcases the interior – in particular when driving at night – to spectacular effect by composing various colours into colour schemes. As such, the indirect LED light highlights the elegant lines of the trim elements. This creates emotionally appealing contrasts, conveys positive influences during the journey and structures the interior in three levels. Eight colour schemes each combine two colours.



\*Please read the disclaimer.



## Safety and Assistance systems

### DYNAMIC SELECT – different handling characteristics at your fingertips

Decidedly comfortable, extremely sporty or sparing on fuel – with the DYNAMIC SELECT transmission modes you can change the driving experience to suit your wishes. There are 5 transmission modes in total: "Comfort", "Sport", "Sport+", "Individual" and "Eco", which the driver can select using a rocker switch on the centre console. In addition to the 4 preconfigured transmission modes, the driver can define his or her own preferred driving characteristics almost without restrictions in the "Individual" program.



\*Please read the disclaimer.

## Safety and Assistance systems

### **AIR BODY CONTROL – constant adjustment ensures unique level of comfort**

In combination with continuously variable damper control, the AIR BODY CONTROL multi-chamber air suspension system provides top-class ride comfort and driving dynamics. The damping system adjusts to the specific driving and road conditions at each wheel. This is done rapidly and precisely using separate valves for the compression and rebound of the dampers. The passengers enjoy a basic suspension that is soft and, as the speed increases, a secure feeling from the high level of driving stability. A stiffening of the spring response, for instance on bends or when braking, effectively reduces rolling movements. Via DYNAMIC SELECT, the AIR BODY CONTROL function allows a choice of three levels: “Comfort”, “Sport” and “Sport +”, for a more comfortable ride or a sportier style of driving. The pneumatic all-round self-levelling system, meanwhile, keeps the vehicle’s level constant, irrespective of the load it is carrying. At speeds above 138 km/h the suspension is automatically lowered by 15 mm, helping to reduce aerodynamic drag and further improve handling stability.



\*Please read the disclaimer.

## Safety and Assistance systems

### Parking package with 360° camera – a better all-round view when parking

The Parking package with 360° camera assists the driver in the search for a parking space and can help guide the vehicle into and out of parallel and end-on parking spaces. The 360° camera provides a realistic image via the multimedia system display, thus offering assistance when parking and manoeuvring. The camera is switched on automatically when reverse gear is selected, for example. Alternatively, it can be activated by the driver whenever required. A bird's-eye view of the vehicle and its surroundings can be displayed on the display of the multimedia system. Obstacles in the vehicle surroundings below the window line are also visible to the driver. The Top View is shown in the left area of the screen when the wide-angle view for the front or rear camera is deactivated. Various views can be selected on the right-hand side.



\*Please read the disclaimer.

## Safety and Assistance systems

### Active Parking Assist – entering and exiting parking spaces with ease

Active Parking Assist assists the driver comprehensively in the search for a parking space and can guide the vehicle into and out of parallel and end-on parking spaces semi-autonomously. Active Parking Assist helps to reduce the risk of collisions with obstacles at the front, side and rear of the vehicle. Rear Cross Traffic Alert can warn the driver or initiate emergency braking automatically if crossing traffic is detected when reversing out of a parking space. The information gathered by the Active Parking Assist is shown attractively on the multimedia system's display.



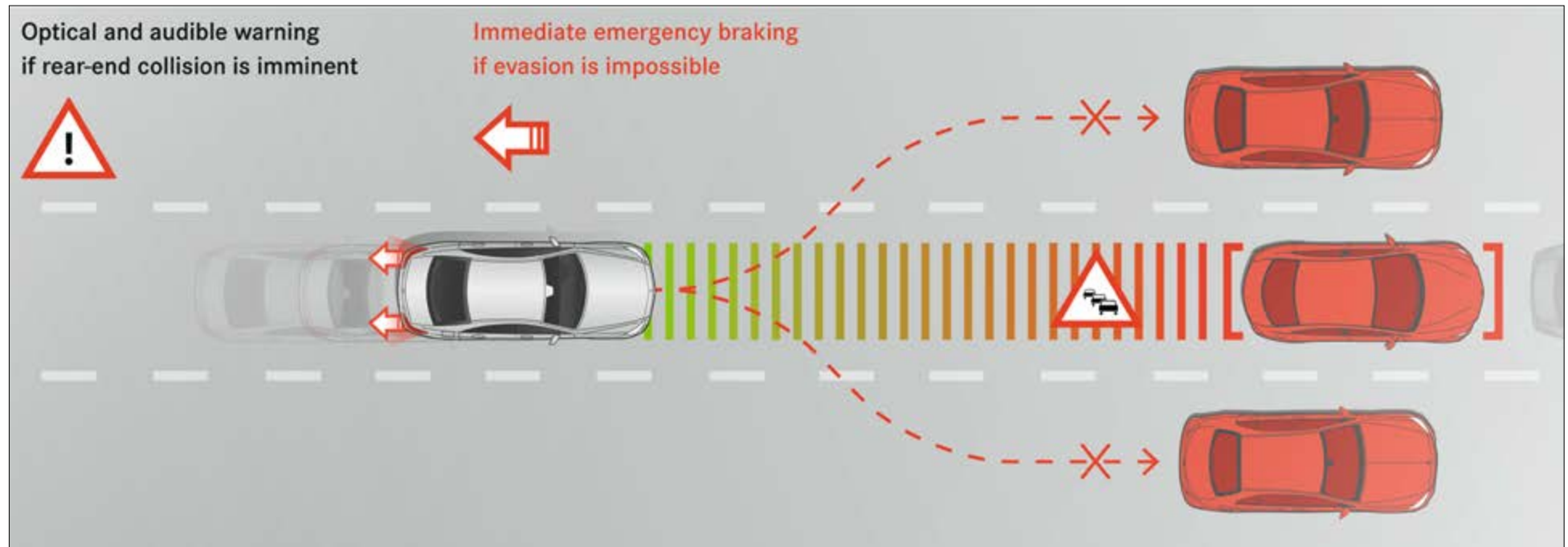
\*Please read the disclaimer.

# Safety and Assistance systems

## Active Brake Assist – helps to prevent rear-end collisions and accidents with crossing pedestrians

Insufficient distance from the vehicle in front and inattentiveness are the main causes of serious accidents. Active Brake Assist can help prevent accidents with vehicles in front and with crossing pedestrians and/or mitigate the consequences of accidents. To this end, the radar-based driver assistance system activates a visual distance warning depending on the situation and, if necessary, an additional audible collision warning.

When the driver steps on the brakes, he or she is helped, if necessary, by situation-dependent braking assistance in the form of additional braking force. Autonomous braking is activated if, with a rear-end collision imminent, the driver does not react to the warnings from the system. If an accident with a crossing pedestrian is imminent, autonomous emergency braking takes place almost simultaneously with the visual and audible warnings.



\*Please read the disclaimer.

## Safety and Assistance systems

### **Adaptive Highbeam Assist Plus – continuously greater visibility**

When main beam headlamps are switched on, this system always makes the best possible headlamp range available. The driver is free to concentrate on the traffic without constantly having to select between low and high beam. Using a stereo camera positioned behind the windscreen, Adaptive Highbeam Assist Plus recognises other road users driving with their lights on. When there are oncoming vehicles or vehicles in front, the LEDs of the MULTIBEAM LED main-beam modules are partially switched off, each creating a u-shaped, recessed light pattern. The other areas of the carriageway continue to be illuminated with the main beam (partial main beam). If motorway conditions are detected and the motorway main-beam headlamps are selected, Adaptive Highbeam Assist Plus activates partial main beam suitable for motorways depending on the traffic situation. This targets the light pattern to avoid dazzling other road users. The included ULTRA RANGE Highbeam increases the legal maximum permitted light intensity. The system is active from a speed of 30 km/h on unlit roads.



\*Please read the disclaimer.

# Upholstery, trim and alloy.

## UPHOLSTERY

Leather - macchiato beige / magma grey

Leather - magma grey / espresso brown

Leather - marsala brown / espresso brown

Leather - black



## TRIM AND CENTER CONSOLE

Open-pore grey ashwood trim

Open-pore light brown elm wood

Brown high-gloss ash wood

High-gloss light brown sen wood



## ALLOY

45.7 cm (18-inch) 5-twin-spoke light-alloy wheels painted in vanadium silver (22R)

45.7 cm (18-inch) 5-twin-spoke light-alloy wheels painted in matt black R70 (Optional)



\*Please read the disclaimer.

# Paintwork.

## DESIGNO PAINTS

designo diamond white

designo hyacinth red

designo selenite grey magno

## METALLIC PAINTS

Ruby black

Polar white

Graphite Grey

Obsidian Black

Cavansite Blue

Iridium Silver



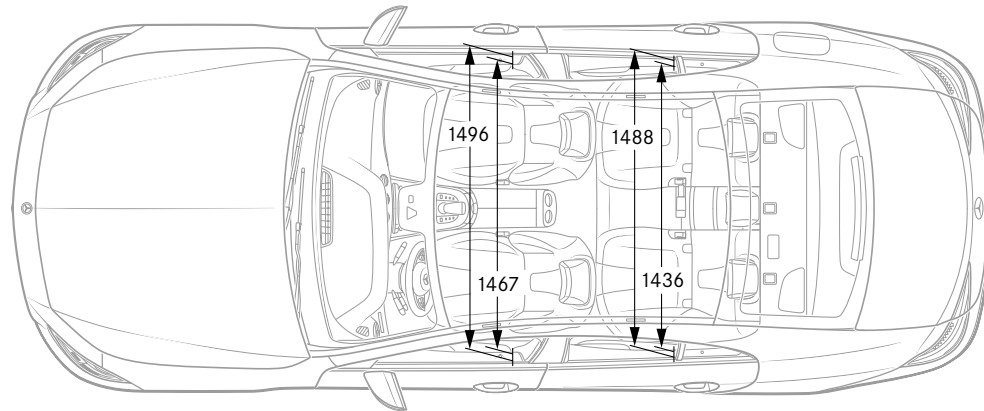
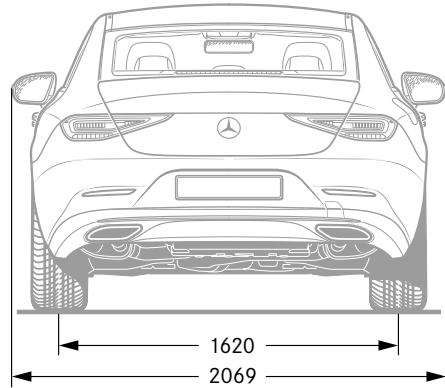
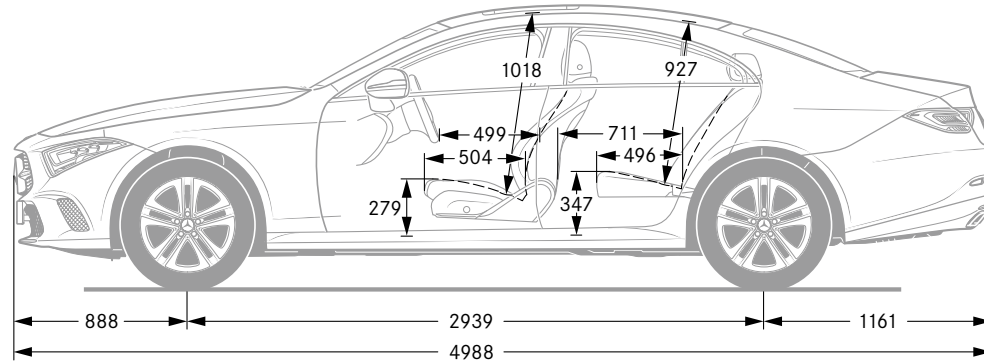
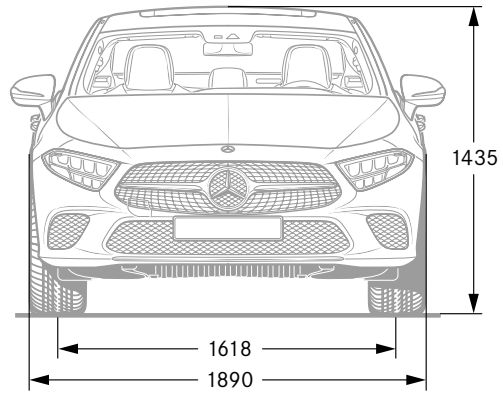
\*Please read the disclaimer.



## Technical data.

	<b>Diesel engines 300 d</b>
Displacement (cc)	1950
No./arrangement of cylinders	L4
Rated output (kW [hp] at rpm)	180 [245]/4200
Rated torque (Nm at rpm)	500/1600 - 2400
Acceleration from 0 to 100 km/h (s)	6.4 secs
Top speed (km/h)	250 km/h
Fuel	Diesel
Gross vehicle weight	2445 kg
L x W x H	4988 mm x 1890 mm x 1435 mm

# Dimensions.

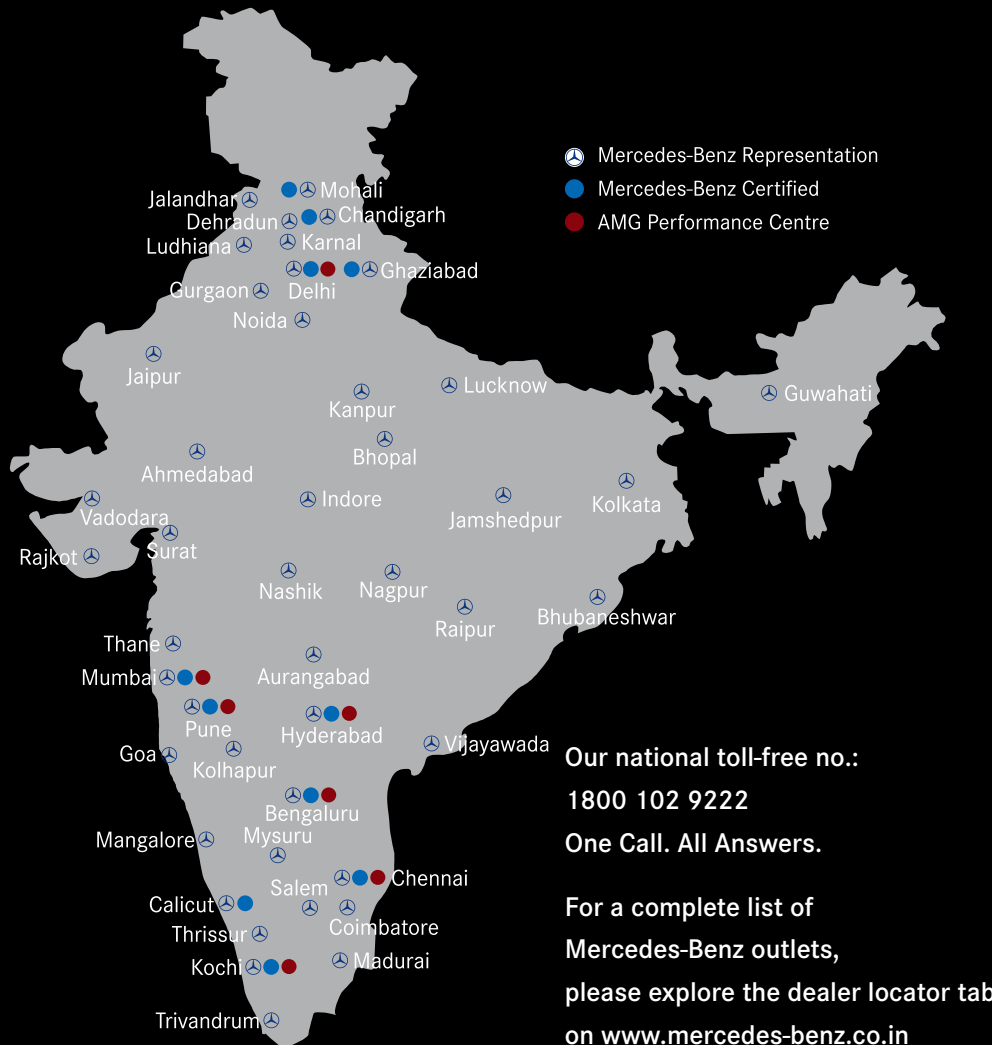


All figures in millimetres. The dimensions shown are median values. They are applicable for unladen vehicles in the standard specification.

\*Please read the disclaimer.

# India's Largest Luxury Car Network.

It takes a keen sense of responsibility to provide the Best. Our large network is spread across the country in 45 cities with 93 outlets and is still growing. With world-class showrooms, state-of-the-art workshops and highly skilled personnel, experience the best wherever you go.



## DEALER CONTACT:

### NORTH & EAST:

**BHUBANESWAR:**  
 Tristar Motors: 0-7852944100  
**CHANDIGARH:**  
 Joshi Autozone: 0172-5050500  
**DEHRADUN:**  
 Berkeley Motors: 0135-3054000

**DELHI:**  
 Silver Arrows: 0-9999200500

**T & T Motors, Mathura Road:**  
 011-66574300/330

**Rajouri Garden:** 011-66574400/430

**GHAZIABAD:**  
 Silver Arrows: 0-9718200500

**GURGAON:**  
 T & T Motors: 0124-4263060/62

**GUWAHATI: Axom Motors:**  
 0-70860 53317, 0-70860 66885

**JAIPUR: T & T Motors:** 0141-4300000/05

**JAMSHEDPUR:**  
 Tristar Motors: 0-7763815720/ 0657-6601601/02

**JALANDHAR:**  
 Joshi Autozone: 0181-5004444

**KANPUR:**  
 SRM Star Pvt. Ltd.: 0-8795835516

**KARNAL:**  
 Berkeley Motors: 0184-3300000

**KOLKATA:**  
 Benchmark Interkrafts: 1800 3000 3310

**LUCKNOW:**  
 SRM Star Pvt. Ltd.: 0-8795835516

**LUDHIANA:**  
 Joshi Autozone: 0161-5055000

**MOHALI:**  
 Panjab Motors: 0172-4290000

**NOIDA:**  
 Silver Arrows: 0-9999200500

### WEST:

**AHMEDABAD:**  
 Benchmark Cars: 0-9377662000

**Emerald Motors:** 0792-6446694/95

**AURANGABAD:**  
 B. U. Bhandari: 0-8605121333/  
 0240-6452601/02

**BHOPAL:**  
 Benchmark Cars: 0-9098233233

**GOA:**  
 Counto Motors: 0832-2415122

**INDORE:**  
 Benchmark Cars: 1800-3000-8844

**KOLHAPUR:**  
 B. U. Bhandari: 0231-2661422/  
 0-8380093555

**MUMBAI:**  
 Auto Hangar, Prabhadevi: 022-67434362/63

Auto Hangar, Andheri: 022-67106660/61

Metro Motors, Auto Hangar division  
Hughes Road: 022-66123500/11

Shaman Wheels, Off BKC: 022-24228787

**THANE & KANDIVALI:**

Landmark Cars: 0-7572820000

**NAVI MUMBAI:**

Shaman Wheels: 022-24228787

**NAGPUR:**

Auto Hangar: 0-9223540191/  
07104-238180/1/2/3

**NASHIK:**

Indisch Motoren: 0253-6645555

**PUNE:**

B. U. Bhandari, Baner: 020-67212129  
B. U. Bhandari, Bund Garden: 020-67212131  
Trinity Motors: 020-67342525

**RAJKOT:**

Benchmark Cars: 0-9377750050

**RAIPUR:**

Auto Hangar: 0771-6537801/0-8518887155

**SURAT:**

Benchmark Cars: 0-9377660066

**VADODARA:**

Benchmark Cars: 0-9377390001

**SOUTH:**

**BENGALURU:**

Sundaram Motors: 080-22070720/21

Akshaya Motors, Mysore Road:  
080-22966300, 0-9066030989

Akshaya Motors, Koramangala:  
080-22966296, 0-9019326026

**CALICUT:**

Bridgeway Motors: 0495-30 55555

**CHENNAI:**

Trans Car: 044-40200300, 0-9841011699

**Titanium Motors:**

044-66498080/8181/8282

**COIMBATORE:**

Sundaram Motors: 0422-2452020

**HYDERABAD:**

Mahavir Motors: 0-9985533004  
Silver Star: 040-30003535/0-7288862888

**KOCHI:**

Rajasree Motors: 0484-2706332/  
2706432/2706134 2607027/37/47

**MADURAI:**

Sundaram Motors: 0452-2320433/  
0-9500966946

**MANGALORE: Sundaram Motors:**

0824-2214833/2215833/ 0-9008442155

**MYSURU:**

Akshaya Motors: 0-8431984763

**SALEM:**

Sundaram Motors: 0-7397255855,  
0-7397722599

**THRISSUR:**

Bridgeway Motors: 0-7034488888

**TRIVANDRUM:**

Rajasree Motors: 0471-2380377/  
0-9846547551

**VIJAYAWADA:**

Mahavir Motors: 0-9985533004

**MERCEDES-BENZ CERTIFIED:**

**BENGALURU:**

Akshaya Motors: 0-9019944044

Sundaram Motors: 080-22070746/  
0-9880662051

**CALICUT:**

Bridgeway Motors: 0-8139000109

**CHANDIGARH:**

Joshi Autozone: 0-9878941930/  
0172-5050500/510

**CHENNAI:**

Trans Car: 044-40200300,  
0-9841011699

**COIMBATORE:**

Sundaram Motors: 0422-2452020/  
0-7338846460

**DELHI:**

T&T Motors, Mathura Road: 0-9711774424

West Delhi: 0-9711112243

**GHAZIABAD:**

Silver Arrows: 0-9718200500

**HYDERABAD:**

Adishwar: 0-7799633004

**INDORE:**

Benchmark Cars: 0731-6675520

**KOCHI:**

Rajasree Motors: 0-9846547311

**LUCKNOW:**

SRM Star Pvt. Ltd.: 0-8795835516

**MOHALI:**

Panjab Motors:  
0172-4290000/0-8146669641

**MUMBAI:**

Autohangar: 022-43471235, 0-9225347030  
Shaman: 0-9619890306

**AMG PERFORMANCE CENTRES:**

**BENGALURU:**

Sundaram Motors: 080-22070720/21

**CHENNAI:**

Trans Car: 044-40200300, 0-9841011699

**DELHI:**

T&T Motors: 011-66574309

**HYDERABAD:**

Mahavir Motors: 0-9885033004/  
0-9885653004

**KOCHI:**

Rajasree Motors: 04842607027

**MUMBAI:**

Auto Hangar: 022-67434360/61/65

**PUNE:**

B.U. Bhandari: 020-67212131/  
0-8554055555

**Mercedes-Benz India Private Limited:** E-3, MIDC Chakan - Phase III, Chakan Industrial Area, Kuruli & Nighoje, Tal: Khed, Pune - 410 501 (India)  
Toll free No.: 1800 102 9222. e-mail: customerconnect@daimler.com, **website: [www.mercedes-benz.co.in](http://www.mercedes-benz.co.in)**

**Please note:** This brochure is intended for general information, description and illustration of the Product including optional functions and equipment and may not be specific to a Product since specification of a product may change from time to time. Optional features, functions and equipment etc. may not be present in the Standard or Variant Product or Special Edition Product. Further, Standard specifications of a product may also vary from time to time. Colours may differ from those shown in pictures in the brochure, owing to printing. Mercedes-Benz India reserves the right to make changes, at any point of time, without prior notice, in design, colours, materials, components, equipment, specifications, features, functions, make and models etc. The information given in this brochure shall be regarded as accurate at the time of going to print and may vary thereafter due to any developments or any other reason. Interested parties should confirm with the Authorised Dealer about the correct specification of the product they desire to purchase. For the latest authentic information and updates, kindly contact your nearest Authorised Dealer.

All title, ownership rights and intellectual property rights in and relating to this brochure / magazine or publication material or any copies thereof including but not limited to copyright, logos, names, trademarks, service marks, design, text, images, links, concepts and themes are owned by Daimler AG and/or its subsidiaries collectively or used under authorised license by the Daimler AG. Any reproduction, transmission, publication, performance, broadcast, alteration, license, creation of derivative works or other use in whole or in part in any manner without the prior written consent of the Daimler AG is strictly prohibited.

Mercedes-Benz cars: The CLS meets Bharat Stage VI equivalent emission norms.

CIN - U34102PN1994PTC083160